

MULTIFLEX
3D ROBOTIC CHAIN

MULTI-DIMENSIONAL MOVEMENT

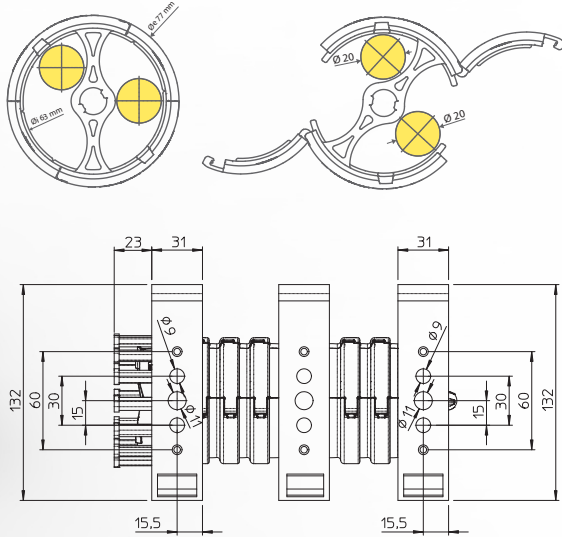
Brevetti Stendalto's new 3D Multiflex chain is designed to work on robot applications and modern CNC machines. This fully-enclosed chain is very impact-resistant and provides maximum protection against chips. Thanks to special covers, it can be opened using a simple screwdriver, facilitating the insertion of cables and hoses.

Among its many new features, the most important one is the twist angle that allows each individual link to rotate by +/-10°, providing less stress to utilities.

Links are equipped with an innovative junction mechanism that makes Multiflex very resistant to traction, and at the same time easily shortened or lengthened.



COD. MFC65100



Inner mm Ø	Outer mm Ø	Min. radius mm	Pitch mm	N°. of pitches/m	kg/m	Torsion per meter	Cable housing
63 mm	77 mm	100 mm	18.5	54	1,6	~±540°	max Ø 20 mm

DESIGN TO INNOVATE

Our protection systems for hoses and cables are used in various fields, such as robotics, aeronautics, automotive, machinery, industrial, naval and railways automation.



MKTEEN000015 - © COPYRIGHT BREVETTI STENDALTO - 2020

brevetti stendalto
DYNAMIC CABLE PROTECTION

Brevetti Stendalto S.p.A.
20900 Monza
Viale Giovanni Battista Stucchi 66/8
Tel. +39 039 20.49.01
Fax +39 039 83.42.50
E-mail: info@brevettistendalto.it

WWW.BREVETTISTENDALTO.COM



brevetti stendalto



MFRS

Multiflex Retraction System

ROBOT DRESSPACK SYSTEM

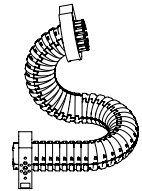
Brevetti Stendalto rides the future of innovation with a new product. MRS (Multiflex Retraction System) is a spring-driven retraction system that makes hoses and cables work in perfect adherence and synchrony with the robot arm, from axis 3 to axis 6, without collisions and breakdowns, and increasing their working life.

MRS includes Brevetti Stendalto's new 3D Multiflex chain and Reiku sheaths and accessories. It is available in various sizes and can be installed on most anthropomorphic robots in a simple and fast way thanks to specific supports.

Multiflex Retraction System	Multiflex or Conduit	Dimension	Left or Right
MRS	☐	☐☐	☐

Complete the code by inserting the value.
Ex. MRSM 6 5 R

(M) Multiflex

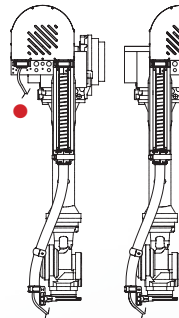


or
(C) Conduit



Multiflex
65
-
Conduit
Ø29
Ø36
Ø52
Ø70

(L) Left
or
(R) Right



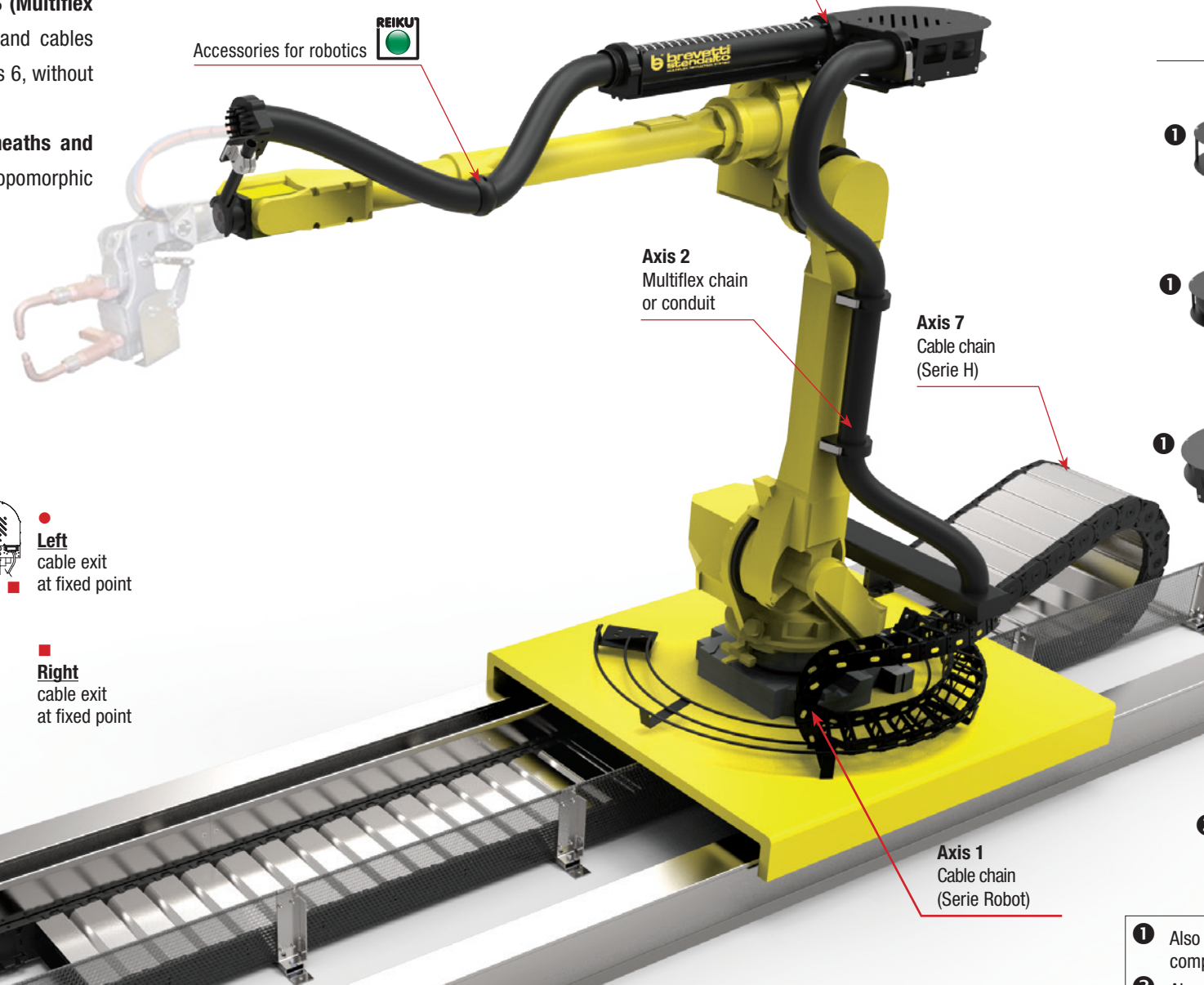
● Left
cable exit
at fixed point

■ Right
cable exit
at fixed point



Axes 3-6
MRS (Multiflex Retraction System)

Accessories for robotics



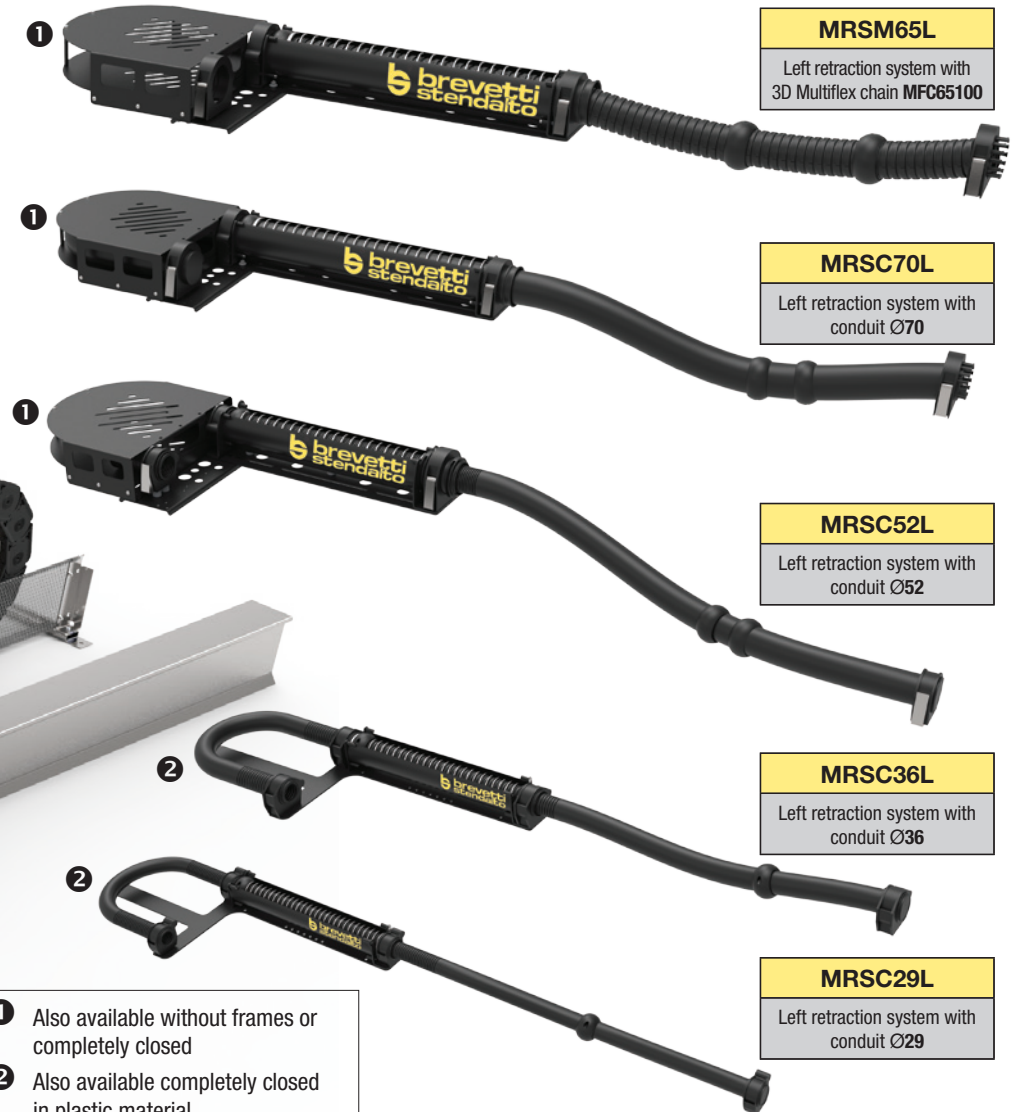
Axis 2
Multiflex chain
or conduit

Axis 7
Cable chain
(Serie H)

Axis 1
Cable chain
(Serie Robot)

DYNAMIC CABLE PROTECTION

PRODUCT RANGE



MRSM65L

Left retraction system with
3D Multiflex chain MFC65100

MRSC70L

Left retraction system with
conduit Ø70

MRSC52L

Left retraction system with
conduit Ø52

MRSC36L

Left retraction system with
conduit Ø36

MRSC29L

Left retraction system with
conduit Ø29

① Also available without frames or
completely closed

② Also available completely closed
in plastic material



QR-Code
Scan with your
smartphone and
enjoy a tutorial
video