

DESIGN TO INNOVATE

Our chains are used
in many areas
due to the wide range
of products and the
possibility to customise
them for your every need

MKTEN000006 - © COPYRIGHT BREVETTI STENDALTO - 2016 - EN



**brevetti
stendalto**

**brevetti
stendalto**
DYNAMIC CABLE PROTECTION

Brevetti Stendalto S.p.A.
20900 Monza
Viale Giovanni Battista Stucchi 66/8
Tel. +39 039 20.49.01
Fax +39 039 83.42.50
E-mail: info@brevettistendalto.it

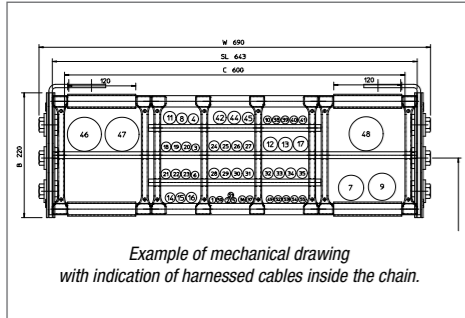
WWW.BREVETTISTENDALTO.COM



TOTAL Solution

R&D AND TECHNICAL SUPPORT

Brevetti Stendalto provides solutions to every need and offers full pre-order & after-sales services. Technical support: we are glad to **offer our expertise and assist customers** since the early planning stage, **research and develop innovative solutions** with them. Our engineers use state-of-the-art CAD systems (EPLAN) to develop **functional and construction drawings, datasheets, BOM and technical instructions.**



Total Chain

BREVETTI STENDALTO harnessing systems can satisfy all market needs.



BREVETTI STENDALTO wishes to support customers by offering tailor-made, reliable and quality services and solutions, in order to play an active role in customers' success.

Brevetti Stendalto intends to be a **"Cabling System Integrator"** of all-in-one drag chain and harnessing systems for industrial automation. **We are ready to offer cabling solutions for a wide range of applications: packaging, machine tools, textile industry, wood, marble and glass engineering, transfer machinery, workbenches etc... Anything that can be harnessed.** We offer both single pieces, serial production and Total Chain (our drag chains harnessed).

Functional and construction drawing.

DYNAMIC CABLE PROTECTION

PRODUCTION PROCESS

Advanced cable engineering and ongoing monitoring of production stages guarantee highly-reliable harnessing manufactured with state-of-the-art equipment: **cutting, stripping, skinning, crimping machines, assembly systems and an accurate automated inspection centre** which gives useful information on product quality and tracking.



Our standard production comprises the following: Cutting and Stripping Machines, Automatic Crimping Machines, Inspection Centre. **Each single harnessed cable comes with a certificate indicating all relevant tests.** After testing, the cables are put in chain, respecting the rules of installation.

